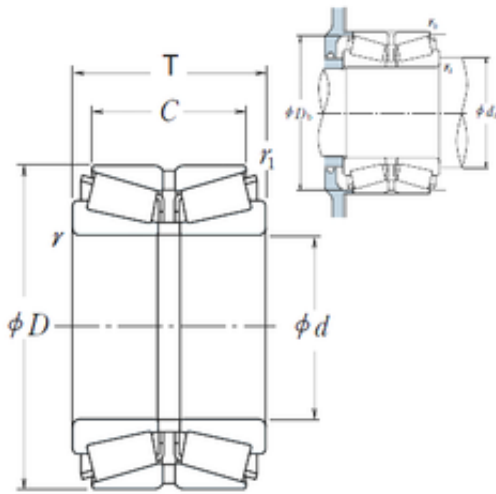




Bearings International Co., Ltd

NSK HR75KBE043+L tapered roller bearings



Bearing No. HR75KBE043+L

Size	75x160x87 mm
Bore Diameter	75 mm
Outer Diameter	160 mm
Width	87 mm
d	75 mm
D	160 mm
T	87 mm
C	69 mm
r min.	3 mm
r1 min.	1 mm
da min.	93 mm
Db min.	151 mm
ra max.	2,5 mm
rb max.	1 mm
Weight	7,66 Kg
Basic dynamic load rating (C)	435 kN
Basic static load rating (C0)	600 kN
(Grease) Lubrication Speed	1900 r/min
(Oil) Lubrication Speed	2500 r/min
Calculation factor (e)	0,35
Calculation factor (Y0)	1,9
Calculation factor (Y2)	2,9

HR75KBE043+L Bearing 2D drawings and 3D CAD models