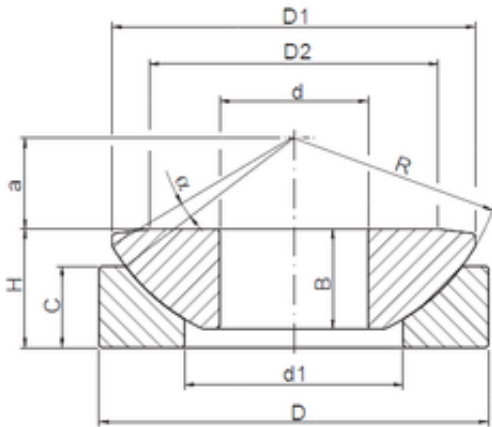




Bearings International Co., Ltd



ISO GW 025 plain bearings

Bearing No. GW 025

Size	25x62x22.5 mm
Bore Diameter	25 mm
Outer Diameter	62 mm
Width	22,5 mm
d	25 mm
D	62 mm
H	22,5 mm
a	14 mm
d1	34,5 mm
B	16 mm
C	17 mm
D1	57,5 mm
D2	45 mm
R	66 mm
Angle	7 °

GW 025 Bearing 2D drawings and 3D CAD models