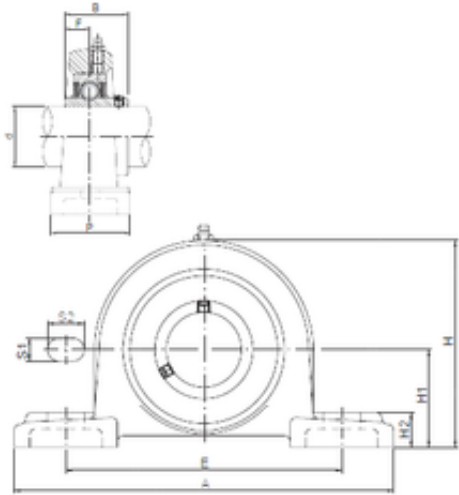




# Bearings International Co., Ltd



UCPX08 Bearing 2D drawings and 3D CAD models

## ISO UCPX08 bearing units

Bearing No. UCPX08

Bore Diameter	40 mm
d	40 mm
S1	20 mm
P	67 mm
A	222 mm
B	49,2 mm
E	156 mm
F	19 mm
H	111 mm
H1	58,7 mm
H2	26 mm
S2	23 mm
Bolt (G)	M16